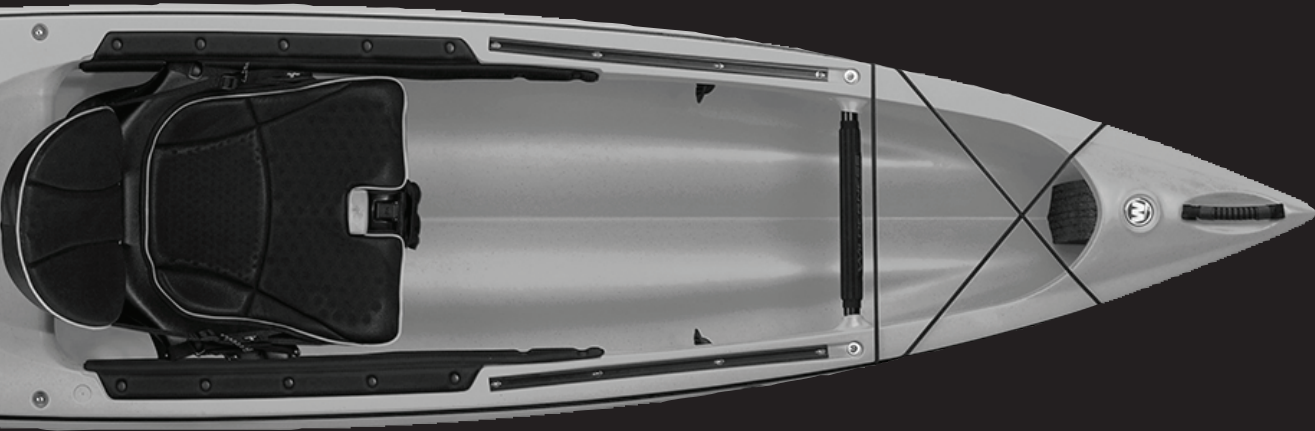


WILDERNESS SYSTEMS

COMMANDER ADDENDUM





COMMANDER: GUIDE TO ADDITIONAL INFORMATION

Please refer to your Owner's Manual for important information about your kayak.

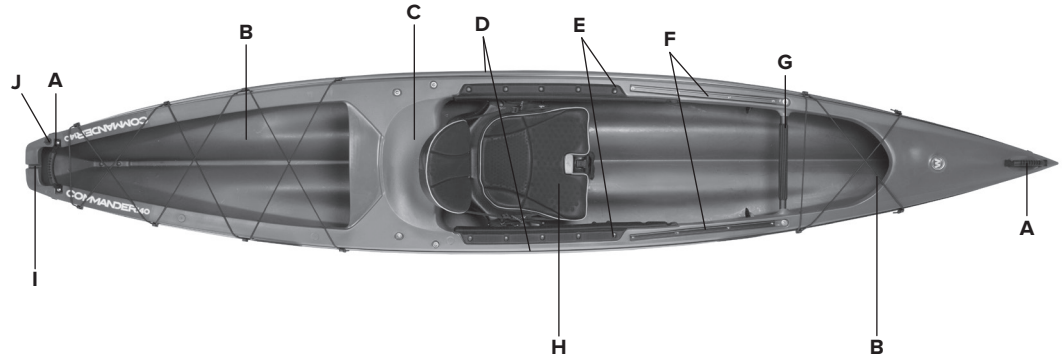
The purpose of this guide is to help you make the best use of the additional features and advantages that are unique to the Commander.

CONTENTS

- 3 Kayak Anatomy
- 4 Seating System
- 5 AirPro Freedom Elite Operation
- 6 SlideTrax Accessory System & Angler Edition
- 8 Use & Installation of Trolling Motor
- 9 Rudder Ready
- 10 Transportation & Storage
- 11 SlideTrax Accessories

SIT ON TOP

- A:** Grab Handles
- B:** Tankwell with Bungee
- C:** Captain's Seat
- D:** Side-Mounted SlideTrax Accessory System
- E:** Thigh/Knee Pad/Braces
- F:** Top-Mounted SlideTrax Accessory System
- G:** Thwart
- H:** AirPro Freedom Elite Seating System
- I:** Rudder (Rudder Models Only)
- J:** Drain Plug



SEATING SYSTEM

The Commander features a dual-seating system: a unique, removable sliding seat and a secondary Captain's seat molded into the deck behind the sliding seat.

The sliding seat features a lock-down system that secures it into a desired position, angle-adjustable padded backrest and leg support for maximum customized comfort to accommodate paddlers of various sizes.

The interior sliding seat (referred to as the Freedom Elite Seating System) is also designed to be removed from the hull, allowing it to be used as a "beach" chair on shore or just about anywhere. Removing the seat will also lighten the boat by about 6 lbs. to make it easier to load your boat on and off a vehicle.

REMOVING AND INSTALLING THE AIRPRO FREEDOM ELITE SEAT:

REMOVAL:

1. Release the Lock Down System (see Freedom Elite Lock Down System section).
2. Lift the seat off the side runners and rotate seat 90° so it is perpendicular to the center line of the boat (sideways) and lift out of boat.

INSTALLATION:

1. Place the seat, oriented sideways, into boat between the two side runners.
2. Lift the seat slightly so that the sides of seat can slide between the deck and the side bars; then rotate seat so it faces towards bow of boat.

3. Snap the seat onto the seat bars by pushing down on seat and then slide to desired position.
4. When desired position is reached, use the Lock Down System to secure seat into place (see Freedom Elite Lock Down System section).

FREEDOM ELITE LOCK DOWN SYSTEM

The system is designed to secure the sliding Freedom Elite Seat in a preferred paddling position and to lock the seat in place when transporting the boat on your vehicle.

KEY COMPONENTS:

The sliding seat snaps over tubular bars underneath the side decks. Running above and outside the each tube is a length of static cord. Mounted on each side of the seat are horizontal "clam" cleats.

TO RELEASE SEAT SO YOU CAN SLIDE OR REMOVE:

1. Grasp the black static cord on each side of seat and pull it free of the clam cleat on each side.
2. Slide seat forward or backward as desired.
3. Relock seat when desired position is achieved.

NOTE:

The sliding seat should always be in the locked position when transporting the boat with the seat installed.

TO LOCK DOWN YOUR SEAT ONCE YOU HAVE POSITIONED IT AS DESIRED:

1. Pull the black static cord out towards side of boat and then push it into the jaws of the clam cleat so the cleat grabs and locks cord in place.

USING THE CAPTAIN'S SEAT

Located on deck—just behind the sliding seat well—is an ergonomically shaped recess designed to provide an elevated paddling and fishing position for improved visibility and comfort. For maximum leg room and accessibility, you should stow the Freedom Elite Seating System below the captain's seat by doing the following:


1. Release the sliding seat lock down system.
2. Fold seat back down so that it lays flat on seat. It is not recommended to sit on the seat back when in this position.
3. Slide the seat backwards so that it tucks under the deck. This provides access to sit on the Captain's Seat.

AIRPRO ^{PHASE} 3

The Wilderness Systems patented Phase 3 seating system has become the industry leader when it comes to an amazingly comfortable seat. And now it's even better.

Introducing the new Phase3 AirPro; designed with innovative features that add comfort and easy adjustability.

PHASE 3® AIRPRO FREEDOM ELITE – COMMANDER

- A** Position seat back for lumbar support while paddling or upper back support while relaxing, the Phase 3 AirPro backrest will conform to you providing all day comfort.
- B** Large comfort holes allow ventilation for air flow while providing cushioning to hard contact areas under the legs and along the spine.
- C** Smaller holes on the backrest provide ventilation and increased support to the oblique muscles while the holes in the seat pad support the sit bones and provide drainage for water.
- D** The padded seat back adjusts forward and back with straps located on either side of the paddler with the  icon. These straps are located near the seat on Commander models. Tighten the backrest by pulling forward on the nylon strap or loosen it by pulling on the black and silver finger pull loop. For good rotation while paddling it should not be too tight.
- E** The leg lifter height is adjusted with the gray handle and corresponding gray web cleat release levers; to raise the height of the leg lifter gently shift one's weight off of the leglifter while pulling the gray handle. To lower the leglifter press both gray web cleat levers simultaneously.
- F** The mesh bag located in front of the central controls can be used to store the leg lifter handle, seat height adjustment strap, a water bottle or any other items you would like to keep in easy reach.



One of the most appealing and useful features on the Commander is the dual SlideTrax System—a modular, movable accessory outfitting system. One set of SlideTrax rails is positioned on top of the deck in front and a second set runs along the side of hull from bow to stern on each side.

Accessories can be installed, removed, or repositioned as desired. They attach to the SlideTrax via a screw and rectangular plate captured within the track.

Each Commander comes standard with dual adjustable bow and stern bungee cord systems. The bungee cord is routed through unique SlideTrax Fittings that have holes to allow line to be pushed through for maximum security and are “hooked” as well so that they capture line that is looped under them. Each fitting is also removable or can be repositioned as desired by loosening the socket head screw with a 3/16” hex wrench.

On the stern bungee system the cord is looped under the center fitting on each side rather than through the eyelet on the fitting. This allows you to open up the tankwell completely by simply unhooking the bungee from the center fittings and letting it fall open, providing complete access to tankwell.

INSTALLATION OF ACCESSORIES ON TOP-MOUNTED SLIDETRAX RAILS:

1. Remove base plates from screws on accessory and slide plates into desired track from forward end of track.
2. Align screws over base plates and start each mounting screw into threaded hole in base plate.
3. Slide accessory to desired position and tighten securely.

INSTALLATION OF ACCESSORIES ON SIDE SLIDETRAX RAILS:

1. Use a Phillips screwdriver to remove screw holding the rail end cap at bow of boat to insert base plates for bow-positioned accessories. At stern end, it will be necessary to reach inside of boat to hold rubber wellnut while removing screw. Retain hardware for reinstallation of end cap.
2. Remove base plates from screws on accessory and slide plates into rail. It may be necessary, depending on accessory and desired position, to loosen or move existing fittings on the rail. You may find it more convenient to unscrew the bungee fittings from the SlideTrax rail and move the brass plate forward or back to position desired for new accessory and then slide new brass plate into position for bungee fittings.
3. Align screws over base plates and start each mounting screw into threaded hole in base plate.
4. Tighten securely when desired position for accessory is determined.
5. Replace end cap on end of rail with original hardware.

To see the complete line of SlideTrax accessories, visit HarmonyGear.com

COMMANDERS ARE AVAILABLE IN AN ANGLER EDITION THAT COMES STANDARD WITH:

- Two flush mount rod holders located behind the Captain's Seat.
- SlideTrax Universal Mounting Plate (UMP) on top rails with Scotty Baitcaster Rod Holder.
- Anchor Trolley System
- Installed motor mount block to accommodate electric trolling motors up to 54 lbs thrust. (See guidelines for motor use on page 9)
- Two 10" x 10" Silent Traction Pads. To see more Silent Traction Pads and common uses, visit the fishing gear section on www.HarmonyGear.com

TO INSTALL UMP WITH ROD HOLDER:

1. Choose which side of the top mounted SlideTrax you want to use for rod holder.
2. Unscrew brass plates from base of UMP and insert into bow end of selected track.
3. Align screws over brass plates in track and thread into brass plates. Tighten securely with Phillips screwdriver.

ANCHOR TROLLEY SYSTEM

The SlideTrax Anchor Trolley System is mounted on one side of hull. This system can be repositioned to other side of hull if desired. The system features two pulleys to provide smooth easy operation, a 2" nylon ring to accommodate use of a setting pole in shallow waters with sandy soft bottoms, and a stainless carabiner to serve as a guide or fairlead for your anchor line.

Use caution as you become accustomed to your anchor trolley system and pay attention to water and weather conditions while in use. Sudden changes in conditions could make anchoring at a selected location or orientation hazardous as well as make it difficult to retrieve anchor safely.

TO SET UP YOUR ANCHOR TROLLEY SYSTEM:

1. Use a Phillips screwdriver to remove screw holding the rail end cap at bow of boat to insert base plates for bow-positioned accessories. At stern end, it will be necessary to reach inside of boat to hold rubber wellnut while removing screw. Retain hardware for reinstallation of end cap.
2. Install three SlideTrax fittings on side rail. One will be placed at each end of track to serve as end points for trolley system and the other is to be positioned just behind seat and will serve as a lock down for trolley when you determine desired deployment of anchor. You may have to loosen and remove any SlideTrax fittings in place between end of rail and desired location for this fitting. Note that fitting has one side more rounded than the other. Orient fittings so that rounded side faces down.
3. Remove brass plate from fitting, insert into end of rail and slide to desired position. Align end of screw in SlideTrax fitting over brass plate and tighten securely.
4. Install two SlideTrax fittings near each end of side SlideTrax rail, orienting molded fittings so that lacing hole in fitting faces down. Re-install the end caps on ends of rail.
5. Thread 12" of static cord through SlideTrax fitting and through top bar on pulley. Tie off securely. Singe end with lighter or matches to prevent fraying. Repeat for opposite end of boat.
6. Thread balance of static line through pulleys and bring ends to center of boat. Adjust line so that ends are equal. Route cord so that it runs under the SlideTrax rail. The other SlideTrax fittings installed on the rail will help guide and retain the cord.
7. If desired, a length of elastic bungee cord is provided to allow for adjustable tension in the trolley cord. This can be eliminate or minimize slap of the trolley system against hull of boat potentially frightening fish. If you wish to use this feature, tie off bungee cord into a loop. Push end of loop around 2" setting pole ring and feed opposite end of bungee loop through it so that ring is captured. If you opt to dispense with bungee loop, simply tie off end of cord to the setting pole ring.
8. Loop one end of cord through opposite end of bungee cord loop and tie off securely.
9. Run opposite end of cord through base of carabiner. Clip carabiner to setting pole ring and draw cord to desired tension. Cord should be taut enough to tension the pulleys against the bungee cord but not drum tight. Tie off cord to carabiner with secure knot such as a bowline and cut off excess cord. Singe end with lighter or matches to prevent fraying.
10. You can move the position of the setting pole ring and carabiner forward or back along hull by pulling on cord next to seat. To lock position on hull, grasp line and wrap around the SlideTrax fitting installed earlier.
11. Take running end of anchor rode (line) and clip through carabiner on anchor trolley line.
12. Secure end of anchor rode onto horn cleat next to Captain's Seat.
13. Unwrap anchor trolley line from SlideTrax fitting so that you can position angle and location anchor will run from its' set to your boat. This is achieved by guiding anchor line where it runs through carabiner to move forward or back alongside of hull. Once position is determined re-wrap trolley line down around SlideTrax fitting next to seat to lock in position.
14. The round ring to which the carabiner is attached is designed to anchor a setting pole, often used as an anchor in shallow, sandy bottoms. Simply push your setting pole through the ring to hold your boat in place.

USE AND INSTALLATION OF TROLLING MOTOR

The Commander Series Angler editions come standard with a molded motor mount to accept electric trolling motors. A motor mount kit is available for other Commander models which can be easily installed. This requires drilling of two holes at marked locations in the transom of the hull. The Commander Motor Mount kit provides a molded motor block, hardware and instructions.

Please keep the following recommendations in mind should you decide to install an electric trolling motor:

- It will be necessary to remove the rudder bracket from stern of Commander if you choose to use a motor rather than a rudder.
- Electric trolling motors of 54 lbs thrust or less are recommended. Use of a gasoline motor is not recommended.
- Confirm fit of transom clamp on motor with transom on Commander. Motor should be able to be clamped securely to the transom so that as motor is rotated or lifted or deployed there is no movement at point of contact.
- The use of a tiller extension is recommended.
- The use of an extended wiring harness is recommended to allow battery to be positioned in bow tank well of Commander for best balance and trim. Many batteries are as heavy as the motors and it is recommended to position them at opposite ends of boat for proper trim.
- All wires should be secured inside of hull. Loose wires pose a potential entrapment hazard if left unrestrained in hull.
- The use of a battery box is recommended. Secure the battery box to the hull of kayak and place battery inside box. This will minimize chances that battery could flip over and possibly leak.
- Should any battery acid leak onto hull, clean up thoroughly as quickly as possible so that acid will not damage hull.
- Operation of motor and controls should be thoroughly tested under controlled conditions before using. Choose a calm, shallow, area to become familiar with your Commander when under power. Test all functions and speeds of motor and effect on kayak so that you can anticipate how the boat will respond when in normal use. The presence of an additional person to assist during trials is recommended.
- Follow closely all instructions provided by the motor manufacturer when installing, using, and removing your motor and components.

THE FOLLOWING PRACTICES ARE NOT RECOMMENDED:

- The use of a side-mounted motor is not recommended on the Commander.
- Use of a gasoline motor is not recommended.
- It is not recommended to sit behind the Captain's seat when operating motor. This will result in improper trim and can affect stability and performance of Commander.

RUDDER – READY COMMANDERS

If your Commander was not ordered with factory installed rudder, Wilderness Systems has made it easy to change your mind. All Commanders are shipped rudder-ready. The tubes running underneath the deck that contain and guide the rudder cables from stern to footpedals are factory installed as are inserts to mount a rudder bracket to stern.

To install a rudder on your Commander, you will need to order a BTS Rudder Ready Kit (#8025416) which includes all necessary components to install a rudder. Minor drilling of deck is required for installation.

(Visit HarmonyGear.com)

TRANSPORTATION & STORAGE

Due to the unique hybrid design of your Wilderness Systems Commander kayak, there are special transportation and storage requirements to ensure the boat maintains its structural integrity.

Please note that these differ from our standard kayak storage and transportation guidelines.

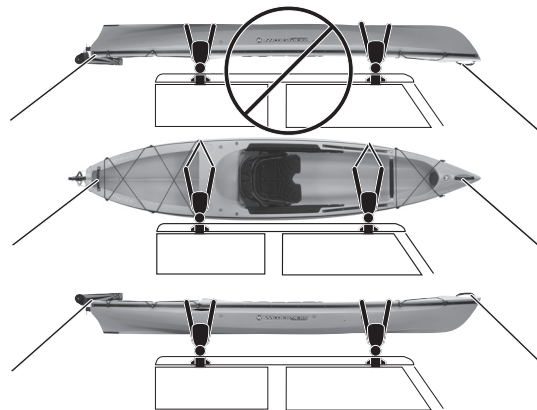
SPECIAL TRANSPORTATION NOTICE FOR COMMANDER SERIES

DO NOT transport a Commander kayak upside down.



RECOMMENDED TRANSPORT OPTIONS:

- Placing Commander right-side up on a flat surface or using roof racks. Supports should be at least 48 inches apart.
- Placing Commander on its side on a flat surface or using roof racks. Supports should be at least 48 inches apart.
- Use caution with roof racks that have bars or supports close together. Supports should be at least 48 inches apart. Also ensure that there is not significant tension pulling down on either the bow or stern.



SPECIAL STORAGE NOTICE FOR COMMANDER SERIES

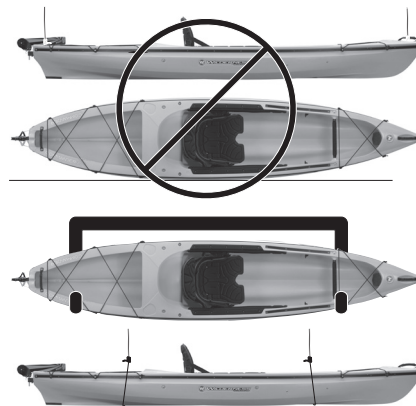
DO NOT store a Commander kayak upside down.

DO NOT suspend the Commander by the carrying handles at each end.



RECOMMENDED STORAGE OPTIONS

- Place Commander right-side up on flat surface. If using supports they should be at least 48 inches apart. Avoid putting the weight of the Commander primarily on the bow and stern ends by placing supports approximately half the distance from the center of the kayak to the ends on each side.
- It is not recommended to suspend the Commander using web straps. In the event this must be done, the kayak should be suspended on its side or right-side up, with support straps located at least 48 inches apart. Also ensure that there is not significant tension on either the bow or stern.



There is an ever-growing list of modular accessory options designed to exploit the advantages of SlideTrax. To see full line of accessories, visit www.HarmonyGear.com.

TOP-MOUNTED SLIDETRAX:

Dashboard (#8023761) and Wide Dashboard (#8023068) – will accommodate multiple rodholders, fishfinder bases, GPS, etc., as well as is easily drilled for custom applications.

Toolboard (#8023065) – attaches to the dashboard and provides stowage and organization for your most needed tools and accessories.

Sideboard (#8023061) – a compact flat plate that can be attached to either side of SlideTrax rails, providing more mounting options for select or custom accessories and is complemented by a Transducer Arm - Basic (#8023062) – that solves the often tricky challenge of how to rig the transducer on fish finders, depth finders, etc.

SlideTrax Mounting Plate (#8023066)–provides a compact but secure mounting surface, predrilled to accept the most popular Scotty and Ram Mount rod holder base systems. It is also available in combination with a Scotty Baitcaster Rod Holder (#8023067).

Transducer Arm - Nano Liberator (#8023764) – installs and removes in seconds and is compatible with SlideTrax. Attaches with a YakAttack Screwball (#8023537). Screwball offered separately.

SIDE-MOUNTED SLIDETRAX:

Utilize to secure the adjustable bungee cord systems standard on each Commander. In addition, they will accept and support the installation of:

Commander Bow and Stern Bag/Covers (120 & 140 Bow - #8023013); (Stern 120 - #8023014); (Stern 140 - #8023015)–Multi-purpose bags tailored to fit in the bow and stern cargo wells of the Commander, providing storage and organization for all your gear within mesh storage compartments below the covers. A hidden half-moon zipper provides easy access for bulky items and minimizes leakage from spray or rain.

The top decks of the bags are designed to serve as water-resistant spray covers for the cargo wells, overlapping the sides of the hull and attaching to boat via the adjustable SlideTrax Fittings supplied with the bags.

Anchor Trolley System (#8023023)–allows you to secure and anchor without drilling holes in your hull. Anchored at each end of hull by adjustable SlideTrax fittings, the Anchor Trolley System allows anglers and paddlers to anchor and position their boats relevant to current, wind, or tide to maximize safety and opportunity.

Silent Traction Pads (#8023363) and Silent Traction System (#8023362)–reduces the noise transmitted through the water caused by incidental contact with the hull by paddles, poles, pliers and other fishing necessities as well as additional traction when standing.

NOTE:

If you purchased an Angler version of the Commander, the UMP with Baitcaster Rod Holder (#8025129) and Anchor Trolley System (#8025126) come standard with your boat.

©2014 Confluence Outdoor
SlideTrax is a trademark of Confluence Outdoor

Confluence Outdoor
575 Mauldin Road, Suite 200
Greenville, SC 29607
WildernessSystems.com